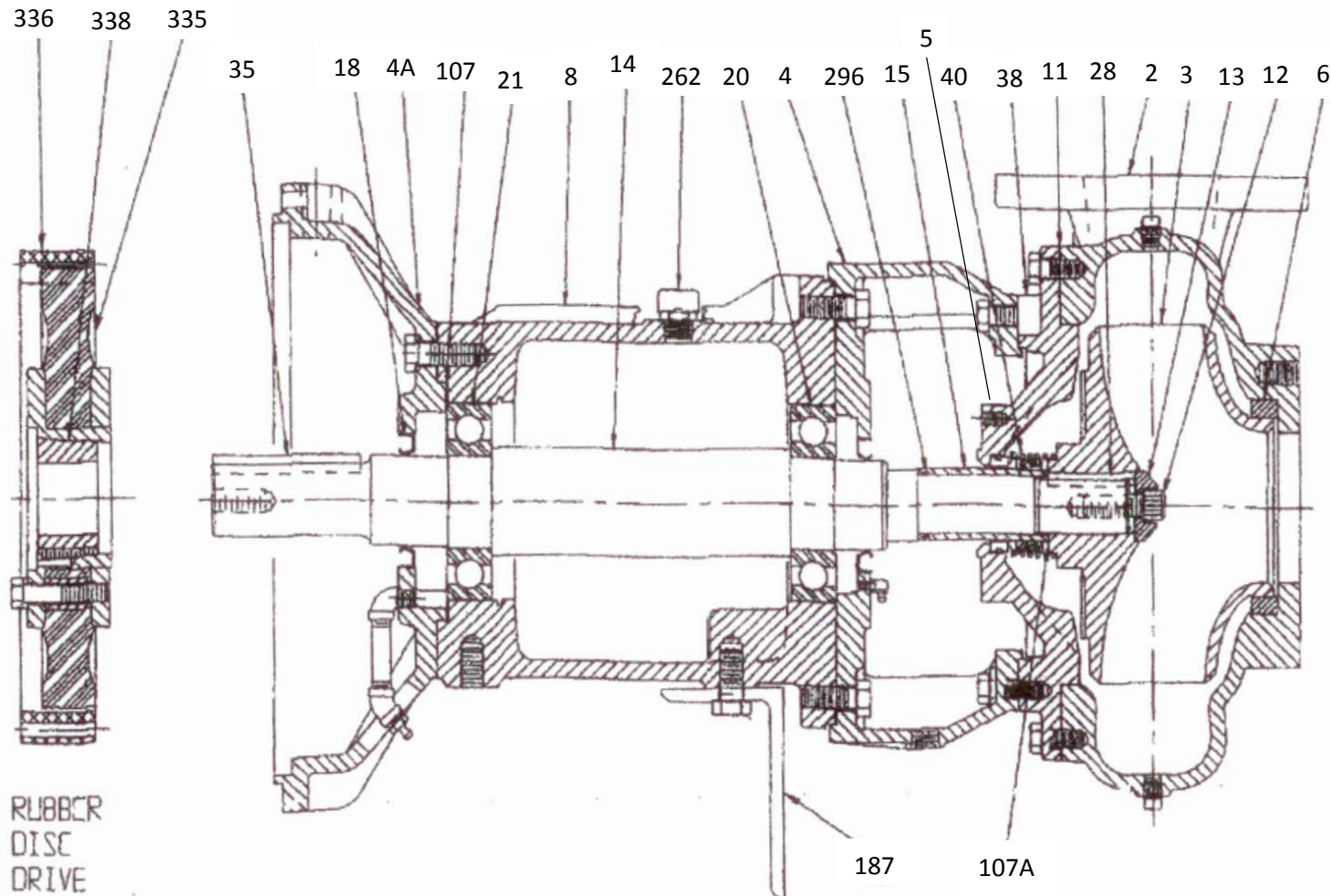


EPT4-150 DPJD PUMP PARTS



ITEMS #	DESCRIPTION
2	VOLUTE
3	IMPELLER
4	PUMP BRACKET
4A	ENGINE BRACKET
5	LIP SEAL
6	WEAR RING
8	FRAME
11	VOLUTE GASKET
12	IMPELLER LOCKSCREW
13	IMPELLER WASHER
14	SHAFT
15	SHAFT SLEEVE
18	LIP SEAL KIT (2)
20	PUMP END BEARING
21	DRIVE END BEARING
28	IMPELLER KEY
36	KEY SHAFT (6NNT)
38	BACKPLATE
40	MECHANICAL SEAL
107	SHIM, IMPELLER - 0,015"
107A	SHIMS, BEARING - 0,010" (4NNT AND 6NHTA)
107A	SHIMS, BEARING - 0,005" (4NNT AND 6NHTA)
187	MOUNTING SUPPORT
262	BREATHER
296	O-RING FOR SLEEVE
335-336-338	FLY WHEEL KIT



PARTS NUMBERS
EPT4-150 DPJD PUMP

ITEMS #	PART #	DESCRIPTION	QTY
2	E4164-2CI-R	VOLUTE	1
3	B4391-3-CI-R	IMPELLER	1
4	D211 - 4C1	PUMP BRACKET	1
4A	D5695 - 4C1	ENGINE BRACKET	1
5	A14898N-18	LIP SEAL	1
6	A16677-6-CI	WEAR RING	1
8	E4105-8-CI	FRAME	1
11	A659AE-197-GA	VOLUTE GASKET	1
12	A14374-12B-SD	IMPELLER LOCKSCREW	1
13	A1146-13-ST	IMPELLER WASHER	1
14	B4413-14-SP	SHAFT	1
15	A20995-15-SI	SHAFT SLEEVE	1
18	A17073A-18	LIP SEAL KIT (2)	1
20	A15016M-20	PUMP END BEARING	1
21	A15016M-20	DRIVE END BEARING	1
28	A13434D-28-KS	IMPELLER KEY	1
36	A13441A-28-KS	KEY SHAFT (6NNT)	1
38	D5750-38-CI	BACKPLATE	1
40	A17264Q-40	MECHANICAL SEAL	1
107	A12339A-107-SDA	SHIM, IMPELLER - 0,015"	3
107A	A17070A-107-AS	SHIMS, BEARING - 0,010" (4NNT AND 6NHTA)	3
107A	A17070B-107-AS	SHIMS, BEARING - 0,005" (4NNT AND 6NHTA)	1
187	A21760 - 213SK	MOUNTING SUPPORT	1
262	P563353	BREATHER	1
296	A15250M-59-EB	O-RING FOR SLEEVE	1
335-336-338	BML994B	FLY WHEEL KIT	1